

PANNIER PANEL (ALUMINUM)

Accessory Name	Parts Number	Application Model	Issue Date	Publication No.	FRT
PANNIER PANEL (ALUMINUM)	08L80-MKT-D00	XL750	2023.1	MII	0.3 H

Introduction

ALL INFORMATION, ILLUSTRATIONS, DIRECTIONS AND SPECIFICATIONS INCLUDED IN THIS PUBLICATION ARE BASED ON THE LATEST PRODUCT INFORMATION AVAILABLE AT THE TIME OF APPROVAL FOR PRINTING. Honda Motor Co., Ltd. RESERVES THE RIGHT TO MAKE CHANGES AT ANY TIME WITHOUT NOTICE AND WITHOUT INCURRING ANY OBLIGATION WHATSOEVER. NO PART OF THIS PUBLICATION MAY BE REPRODUCED WITHOUT WRITTEN PERMISSION. THIS MANUAL IS WRITTEN FOR PERSONS WHO HAVE ACQUIRED BASIC KNOWLEDGE OF MAINTENANCE ON Honda MOTORCYCLES, MOTOR SCOOTERS OR ATVS.

Honda Dealer:







Please give a copy of these instructions to your customer.

Customer:

Because it requires specialized knowledge and special tools and equipment, it is recommended to install it at a dealer with qualified automobile maintenance.

How To Read These Symbols

Your safety, and the safety of others, is very important. To help you make informed decisions we have provided safety messages and other information throughout this manual.

-  **WARNING** You CAN be KILLED or SERIOUSLY HURT if you don't follow instructions.
-  **CAUTION** You CAN be HURT if you don't follow instructions.
-  **NOTICE** The purpose of this message is to help prevent damage to your vehicle, other property, or the environment.
-  **NOTE** Things you want to know, things that are useful to know.
-  Follow the instructions of the Service Manual.
-  Follow the other symbol instructions of the "Installation Instructions BASIC".

Instruction Other Symbols

The symbols used throughout this instructions show specific service procedures. Refer to "Installation Instructions BASIC" for description of each symbol.

INFORMATION

CAUTION

- To prevent burns, allow the engine, exhaust system, radiator, etc., to cool before installing the accessory.

NOTICE

- *Take care not to damage the painted surfaces of the motorcycle.*

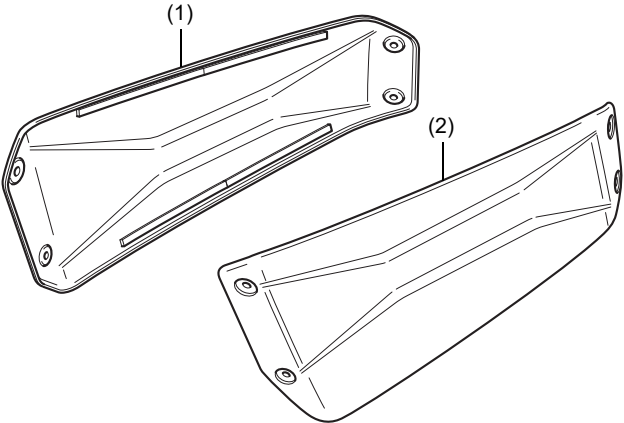
NOTE:

- Heat the bonding surfaces with a hair dryer if the ambient air temperature is below 21°C (70°F).
- The adhesive reaches full strength in 72 hours. Wait at least 24 hours before riding your motorcycle.
- Save all removed parts unless otherwise indicated.

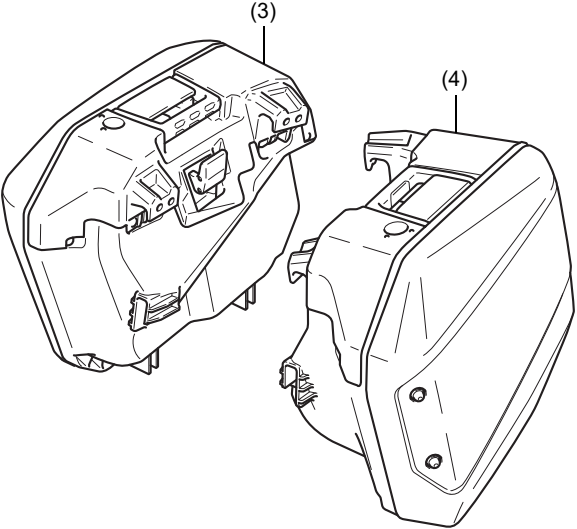
PARTS LIST

When the instruction manual and installation instructions are included in this kit, be sure to give them to the customer.

<PANNIER PANEL (ALUMINUM)>

Component	No.	Parts Name	Qty	Parts No.
	(1)	Right pannier panel	1	08L07-MKT-D00
	(2)	Left pannier panel	1	08L08-MKT-D00

<PANNIER CASE>

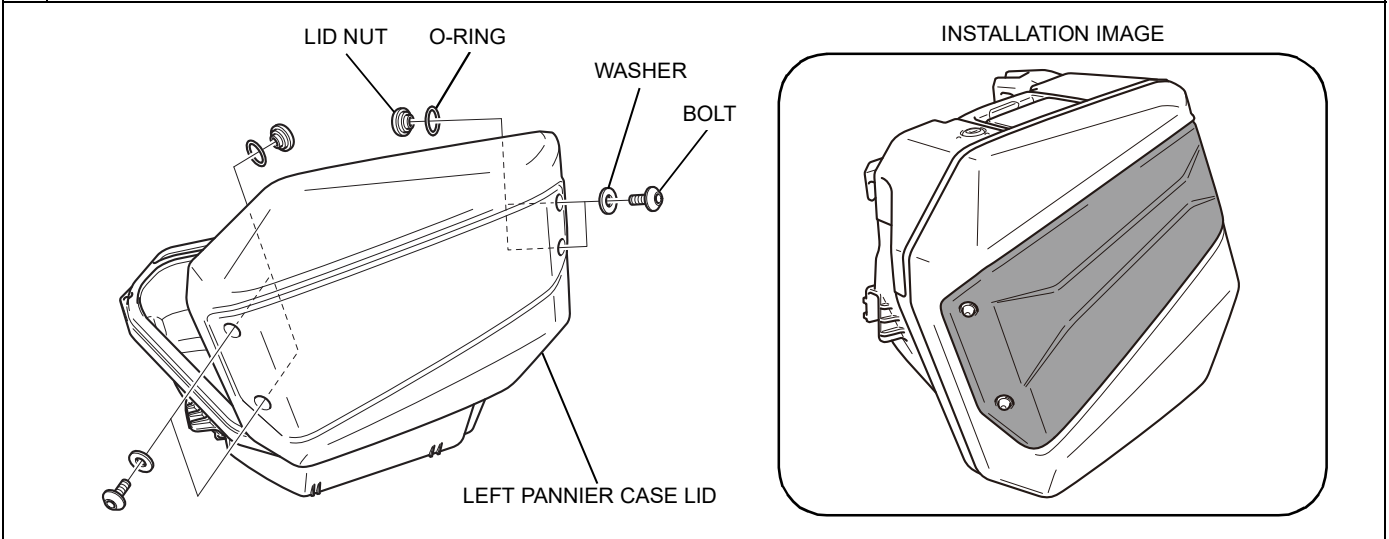
Component	No.	Parts Name	Qty	Parts No.
 <p>For the installation, refer to the Installation Instructions of the accessory.</p>	(3)	Right pannier case	1	08L11-MKT-D00
	(4)	Left pannier case	1	08L12-MKT-D00

TORQUE INFORMATION

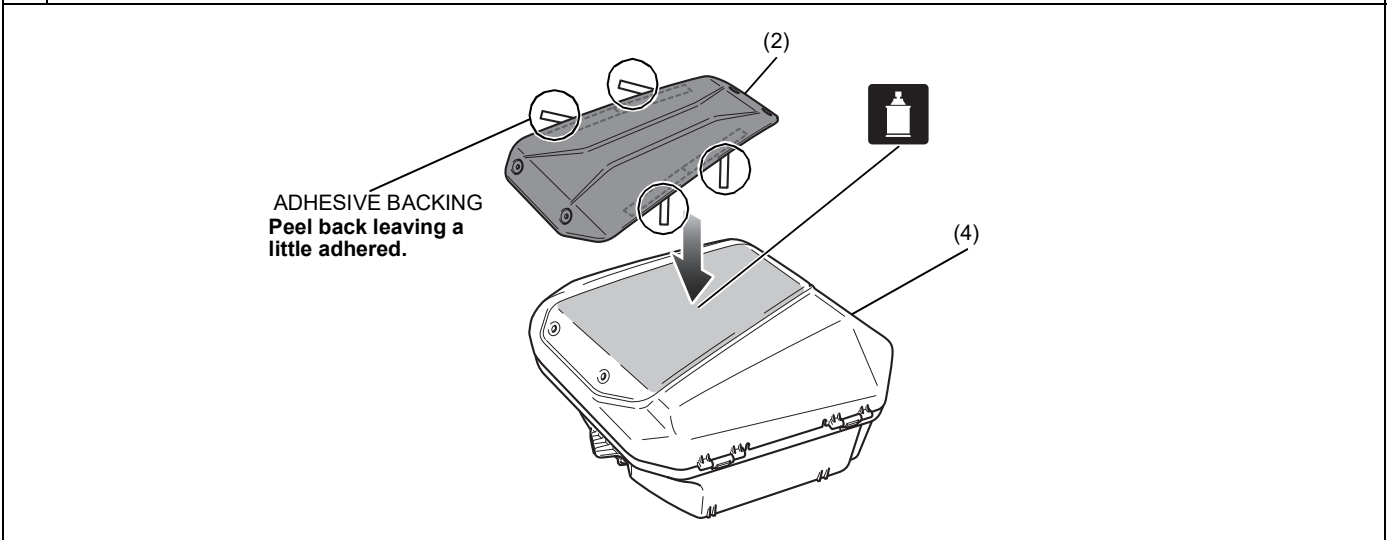
Refer to the Service Manual for the torque values including standard torque of the removed parts. (🔧)

INSTALLATION

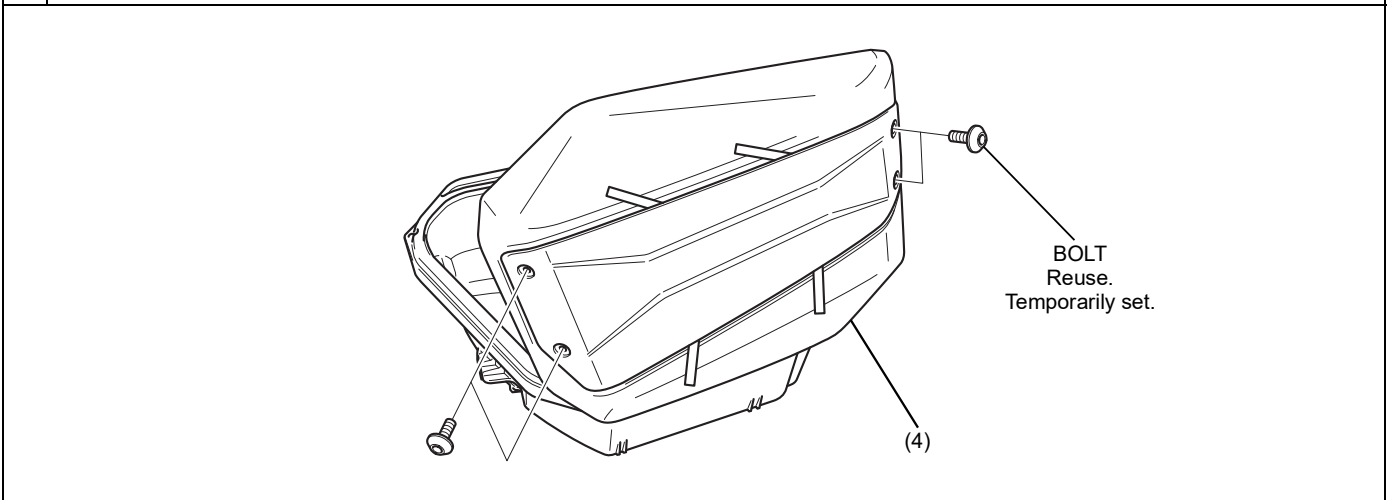
1. Open the left pannier case lid, then remove the parts as shown.



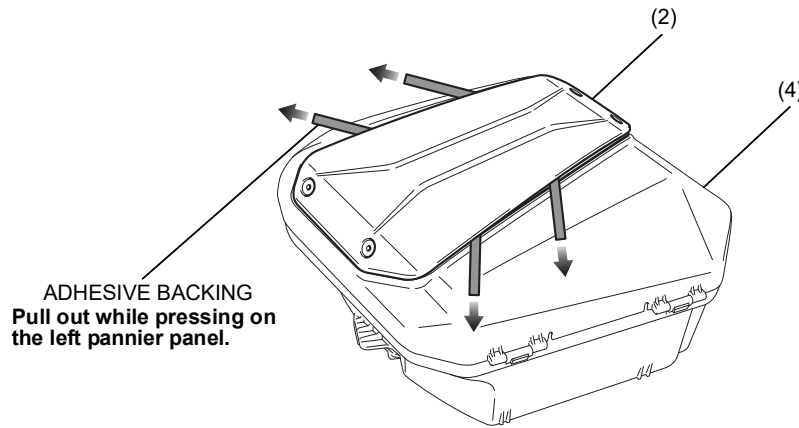
2. Install as shown.
 • Align the left pannier panel with the shape of the left pannier case lid.



3. Temporarily set the bolts to check the correct position of the attached left pannier panel. Remove the temporarily installed bolts.
 • If the position is incorrect, return to the step 2 immediately.

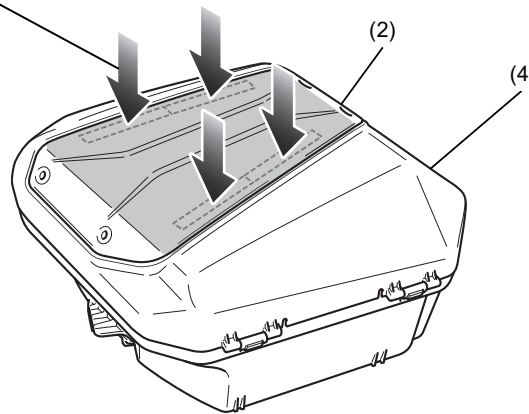


4. Remove the adhesive backings while pressing on the left pannier panel firmly with the palm.

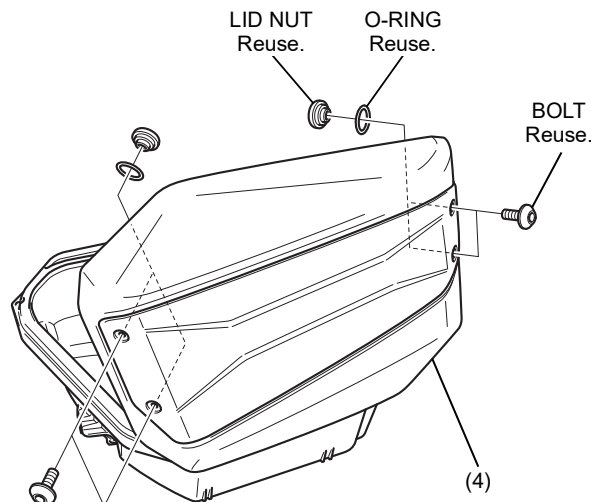


5. Applying adequate pressure of 5 kgf (50 N) to the attached left pannier panel, and then release the adequate pressure and leave the left pannier panel for 10 minutes to stabilize the fitting of the adhesive surface.

Applying adequate
pressure of 5 kgf (50 N).



6. Install as shown.



7. Install the right pannier panel in the same manner as the left side.